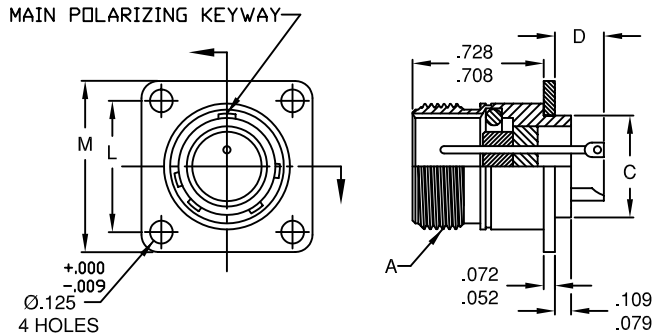


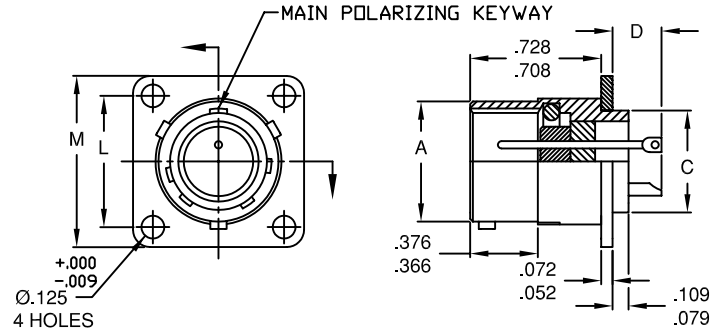
MINIATURE HERMETIC ELECTRONIC CONNECTORS-DX SERIES

MIL-DTL-26500 AND MIL-DTL-83723 SERIES III,
COMMERCIAL EQUAL HERMETIC GLASS-TO-METAL SEALED
(VACUUM / PRESSURE FEED THRU)



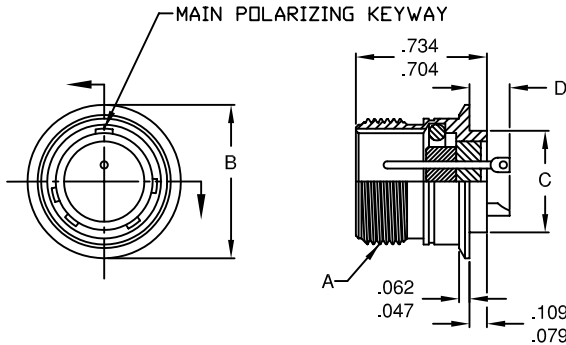
**DX02H-*T - SQUARE FLANGE THREADED
(MS24264 THREADED TYPE)**

PART NO.	A † THREAD UNEF-2A	ØC MAX.	D MAX.		L (TYP) C-C	M (TYP) ±.005
			#12 & #16	#20		
DX02H-10T-*PN	11/16-24	.562	.400	.330	.719	.937
DX02H-12T-*PN	7/8-20	.750	.400	.330	.812	1.031
DX02H-14T-*PN	15/16-20	.812	.400	.330	.906	1.125
DX02H-16T-*PN	1-1/16-18	.938	.400	.330	.969	1.250



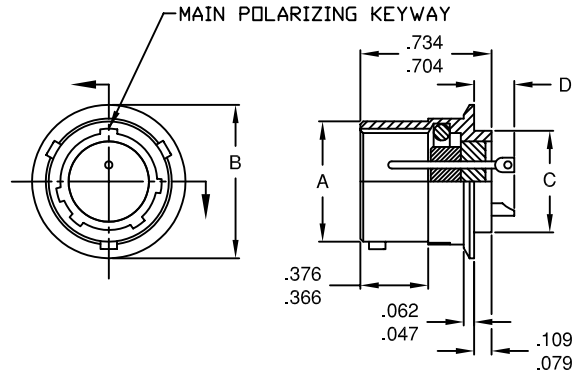
**DX02H-*B - SQUARE FLANGE BAYONET
(MS24264 BAYONET TYPE)**

PART NO.	ØA +0.000 -0.005	ØC MAX.	D MAX.		L (TYP) C-C	M (TYP) ±.005
			#12 & #16	#20		
DX02H-10B-*PN	.659	.562	.400	.330	.719	.937
DX02H-12B-*PN	.829	.750	.400	.330	.812	1.031
DX02H-14B-*PN	.898	.812	.400	.330	.906	1.125
DX02H-16B-*PN	1.025	.938	.400	.330	.969	1.250



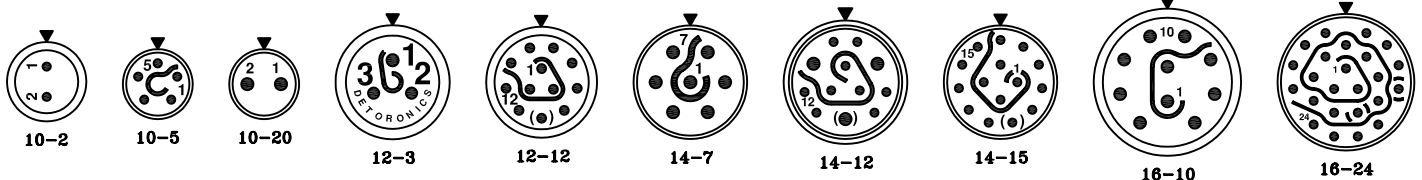
**DX1H-*T - SOLDER MOUNT THREADED
(MS27034 THREADED TYPE)**

PART NO.	A † THREAD UNEF-2A	ØB ±.020	ØC MAX.	D MAX.	
				#12 & #16	#20
DX1H-10T-*PN	11/16-24	.840	.562	.400	.330
DX1H-12T-*PN	7/8-20	1.045	.750	.400	.330
DX1H-14T-*PN	15/16-20	1.090	.812	.400	.330
DX1H-16T-*PN	1-1/16-18	1.210	.937	.400	.330



**DX1H-*B - SOLDER MOUNT BAYONET
(MS27034 BAYONET TYPE)**

PART NO.	ØA +0.000 -0.005	ØB ±.020	ØC MAX.	D MAX.	
				#12 & #16	#20
DX1H-10B-*PN	.659	.840	.562	.400	.330
DX1H-12B-*PN	.829	1.045	.750	.400	.330
DX1H-14B-*PN	.898	1.090	.812	.400	.330
DX1H-16B-*PN	1.025	1.210	.937	.400	.330



ENGAGING FACE PIN INSERTS

* ADD DESIRED INSERT ARRANGEMENT.

▼ = INSERT ARRANGEMENT IS SHOWN IN NORMAL POSITION.

† AFTER PLATING, SUBJECT TO ACCEPTANCE USING A BASIC CLASS 3A GO GAGE.

MIL-DTL-83723 SERIES III INTERMATEABLE WITH MIL-DTL-26500.

OTHER SHELL SIZES, PIN PATTERNS AND INSERT POSITIONS MAY BE AVAILABLE - CONSULT FACTORY.

MATERIAL: STANDARD IS CRS SHELL, 52 NICKEL ALLOY PINS, SILICONE INTERFACIAL SEAL AND O-RING.

STANDARD PIN IS EYELET TYPE. OTHER PIN TYPES ALSO AVAILABLE (SOLDER CUP, STRAIGHT, THERMOCOUPLE) - CONSULT FACTORY.

STANDARD FINISH IS TIN PLATED SHELL AND PINS.

OTHER FINISHES ALSO AVAILABLE (GOLD, NICKEL, OLIVE DRAB, etc.) - CONSULT FACTORY.

SPECIALS CAN BE SUPPLIED TO MEET CUSTOMER SPECIFICATIONS - CONSULT FACTORY.

OUR CONNECTORS MATE WITH ANY PLUG WITH SOCKET CONTACTS WHICH MEET THE DIMENSIONAL REQUIREMENTS OF MIL-DTL-26500, MS24266B AND MS24266T.

GENERAL SPECIFICATIONS

AIR LEAKAGE: 1x10⁻⁷ CM³/SEC AT 15psi

INSULATION RESISTANCE: 5,000 megohms AT 500VDC

OPERATING TEMPERATURE: -67°F TO +500°F (-55°C TO +260°C)

DETORONICS CORPORATION
10660 EAST RUSH STREET, SO. EL MONTE, CA 91733
TELE: (626) 579-7130 FAX: (626) 579-1936
www.detoronics.com