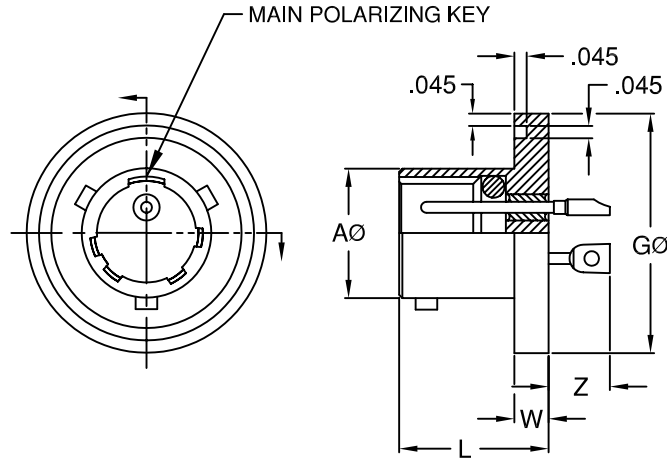
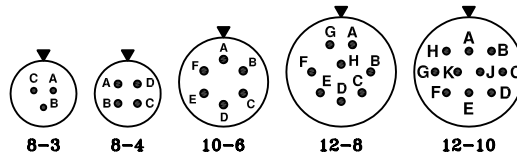


# MINIATURE HERMETIC ELECTRONIC CONNECTORS—DTW04H SERIES

MIL-DTL-26482 TYPE WELD MOUNT, COMMERCIAL EQUAL  
HERMETIC GLASS-TO-METAL SEALED WITH INDIVIDUAL INSULATORS  
(VACUUM / PRESSURE FEED THRUS)



PART NO.	AØ +.001 -.005	GØ ±.010	L +.025 -.016	W ±.010	Z MAX.
DTW04H-8-*PN	.473	.875	.541	.125	.292
DTW04H-10-*PN	.590	1.000	.541	.125	.292
DTW04H-12-*PN	.750	1.125	.541	.125	.292



## ENGAGING FACE PIN INSERTS

\* ADD DESIRED INSERT ARRANGEMENT.

▼ = INSERT ARRANGEMENT IS SHOWN IN NORMAL POSITION.

OTHER SHELL SIZES, PIN PATTERNS AND INSERT POSITIONS MAY BE AVAILABLE - CONSULT FACTORY.

MATERIAL: STANDARD IS 304L-SST SHELL, 52 NICKEL ALLOY PINS AND SILICONE O-RING ONLY.

STANDARD PIN IS SOLDER CUP TYPE. OTHER PIN TYPES ALSO AVAILABLE (EYELET, STRAIGHT) - CONSULT FACTORY.

STANDARD FINISH IS GOLD PLATED PINS ONLY.

SPECIALS CAN BE SUPPLIED TO MEET CUSTOMER SPECIFICATIONS - CONSULT FACTORY.

OUR CONNECTORS MATE WITH ANY PLUG WITH SOCKET CONTACTS WHICH MEET THE DIMENSIONAL REQUIREMENTS OF MIL-DTL-26482 AND MS3116.

### GENERAL SPECIFICATIONS

AIR LEAKAGE:  $1 \times 10^{-6}$  CM<sup>3</sup>/SEC AT 15psi

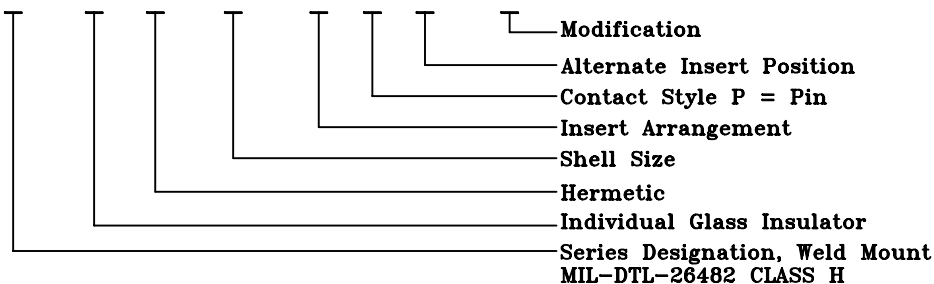
INSULATION RESISTANCE: 5,000 megohms AT 500VDC

OPERATING TEMPERATURE: -67°F TO +257°F (-55°C TO +125°C)

CURRENT RATING: SIZE 20: 5 AMPS

### PART NUMBERING SYSTEM

DTW 04 H - 12 - 10 P N - \*\*\*



**DETORONICS CORPORATION**  
10660 EAST RUSH STREET, SO. EL MONTE, CA 91733  
TELE: (626) 579-7130 FAX: (626) 579-1936  
[www.detoronics.com](http://www.detoronics.com)