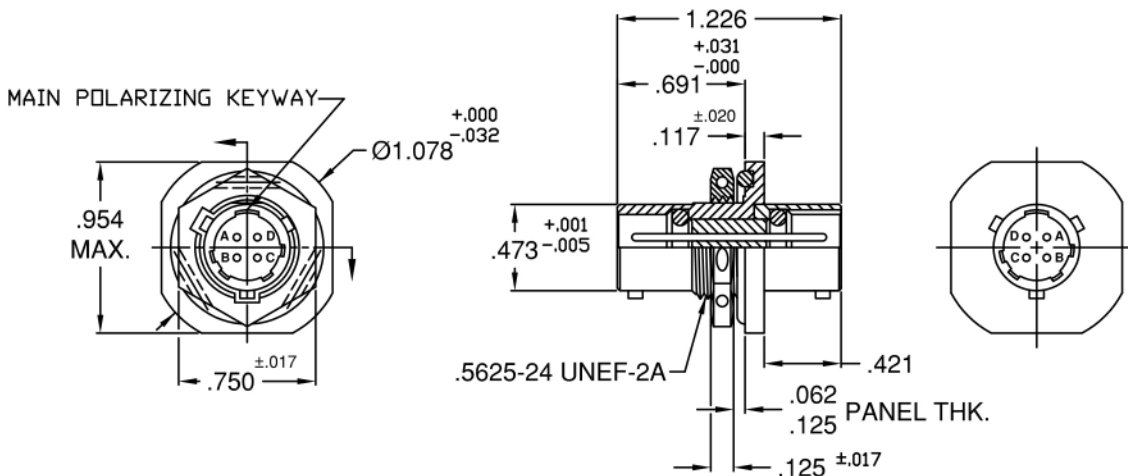


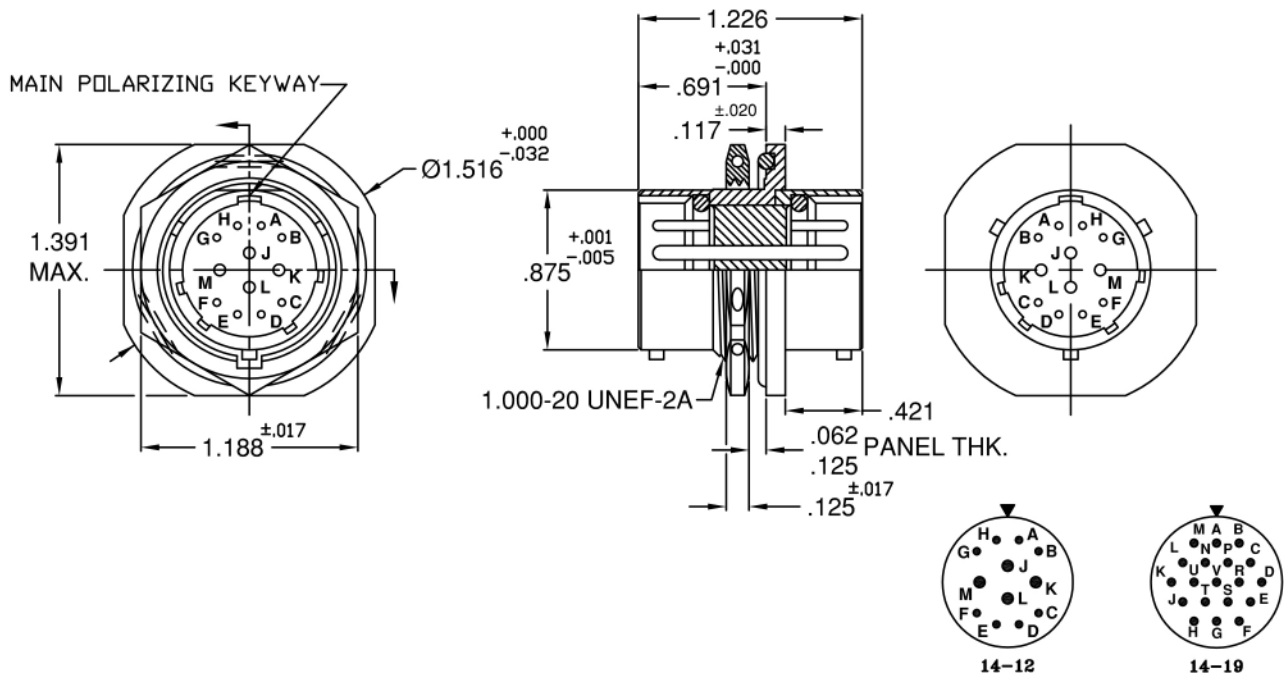
MINIATURE BULK HEAD ELECTRONIC CONNECTORS-DT7BFH SERIES

MIL-DTL-26482 TYPE, COMMERCIAL EQUAL
HERMETIC GLASS-TO-METAL SEALED
(VACUUM / PRESSURE FEED THRU)

DT7BFH-8-4PN



DT7BFH-14-12PN AND DT7BFH-14-19PN



ENGAGING FACE PIN INSERTS

AFTER PLATING, THREAD SUBJECT TO ACCEPTANCE USING A BASIC CLASS 3A GO GAGE.

MATERIAL: STANDARD IS CRS SHELL, 52 NICKEL ALLOY PINS, SILICONE INTERNAL O-RINGS, AND NITRILE EXTERNAL O-RING.

STANDARD FINISH IS TIN PLATED SHELL AND PINS.
OTHER FINISHES ALSO AVAILABLE (GOLD, NICKEL, OLIVE DRAB, etc.) - CONSULT FACTORY.

SPECIALS CAN BE SUPPLIED TO MEET CUSTOMER SPECIFICATIONS - CONSULT FACTORY.

OUR CONNECTORS MATE WITH ANY PLUG WITH SOCKET CONTACTS WHICH MEET THE DIMENSIONAL REQUIREMENTS OF MIL-DTL-26482 AND MS3116.

GENERAL SPECIFICATIONS

AIR LEAKAGE: 1×10^{-6} CM³/SEC AT 15psi
INSULATION RESISTANCE: 5,000 megohms AT 500VDC
OPERATING TEMPERATURE: -67°F TO +257°F (-55°C TO +125°C)
CURRENT RATING: SIZE 20: 5 AMPS, SIZE 16: 10 AMPS

Detronics Corporation

13071 ROSECRANS AVE, SANTA FE SPRINGS, CA 90670

TELE: (626) 579-7130 FAX: (626) 579-1936

www.detronics.com