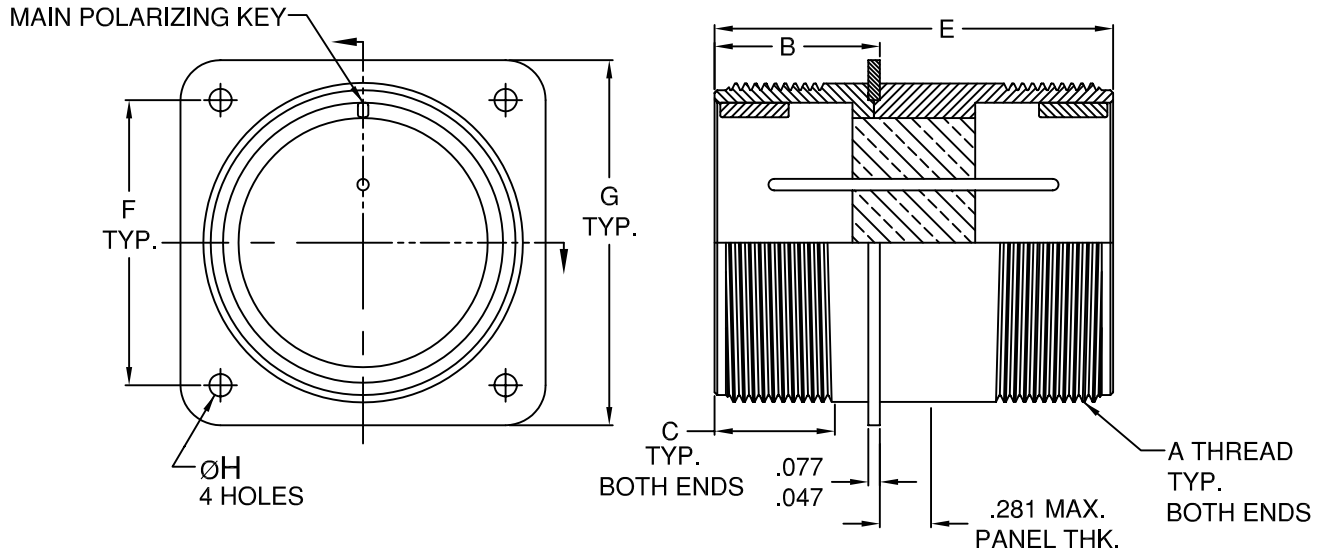
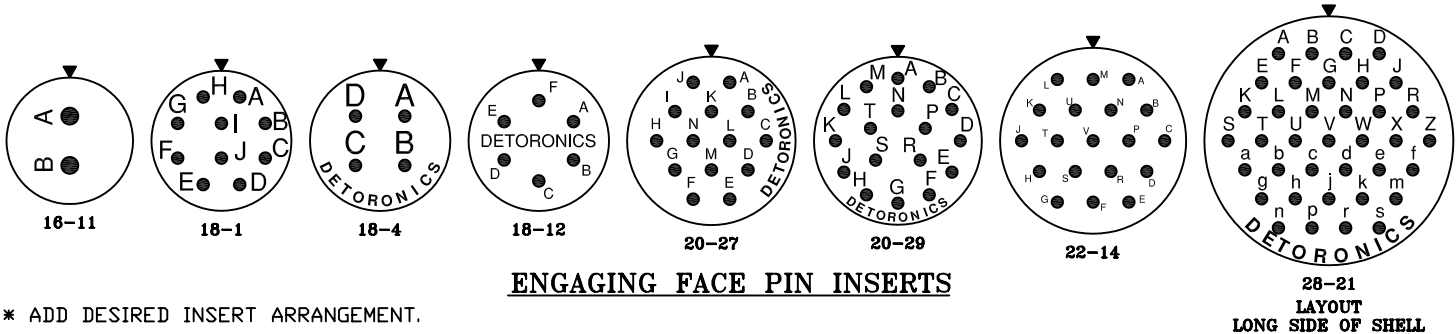


MINIATURE HERMETIC ELECTRONIC CONNECTORS—DSTBFH SERIES

MIL-DTL-5015 TYPE, THRU BULKHEAD COMMERCIAL EQUAL
HERMETIC GLASS-TO-METAL SEALED
(VACUUM / PRESSURE FEED THRUS)



PART NO.	A THREAD CLASS 2A †	B MAX.	C MIN.	E MAX.	F ±.005	G ±.031	ØH ±.005
DSTBFH-16-*PP-110	1.000-20 UNEF	.915	.625	2.072	.969	1.281	.120
DSTBFH-18-*PP-110	1.125-18 UNEF	.915	.625	2.072	1.062	1.375	.120
DSTBFH-20-*PP-110	1.250-18 UNEF	.915	.625	2.072	1.156	1.500	.120
DSTBFH-22-*PP-110	1.375-18 UNEF	.915	.625	2.197	1.250	1.625	.120
DSTBFH-28-*PP-110	1.750-18 UNS	.915	.625	2.197	1.562	2.000	.147



ENGAGING FACE PIN INSERTS

* ADD DESIRED INSERT ARRANGEMENT.

▼ = INSERT ARRANGEMENT IS SHOWN IN NORMAL POSITION.

† AFTER PLATING, SUBJECT TO ACCEPTANCE USING A BASIC CLASS 3A GO GAGE.

OTHER SHELL SIZES, PIN PATTERNS AND INSERT POSITIONS MAY BE AVAILABLE - CONSULT FACTORY.

MATERIAL: STANDARD IS CRS SHELL, 52 NICKEL ALLOY PINS AND NO INTERFACIAL SEAL.

STANDARD FINISH IS TIN PLATED SHELL AND PINS.

OTHER FINISHES ALSO AVAILABLE (GOLD, NICKEL, OLIVE DRAB, etc.) - CONSULT FACTORY.

SPECIALS CAN BE SUPPLIED TO MEET CUSTOMER SPECIFICATIONS - CONSULT FACTORY.

OUR CONNECTORS MATE WITH ANY PLUG WITH SOCKET CONTACTS WHICH MEET THE DIMENSIONAL REQUIREMENTS OF MIL-DTL-5015 AND MS3106.

GENERAL SPECIFICATIONS

AIR LEAKAGE: 1×10^{-6} CM³/SEC AT 15psi

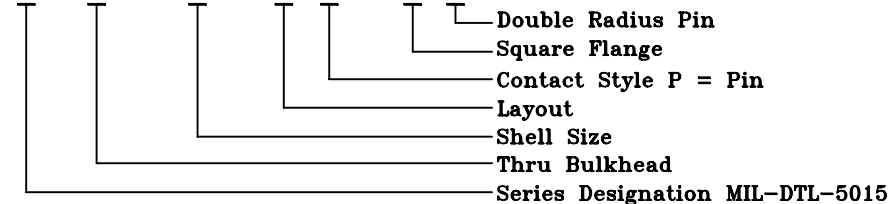
INSULATION RESISTANCE: 5,000 megohms AT 500VDC

OPERATING TEMPERATURE: -67°F TO +347°F (-55°C TO +175°C)

CURRENT RATING: SIZE 16: 10 AMPS, SIZE 12: 17 AMPS

PART NUMBERING SYSTEM

DS TBFH - 28 - 21 PP - 11 0



DETORONICS CORPORATION
10660 EAST RUSH STREET, SO. EL MONTE, CA 91733
TELE: (626) 579-7130 FAX: (626) 579-1936
www.detoronics.com