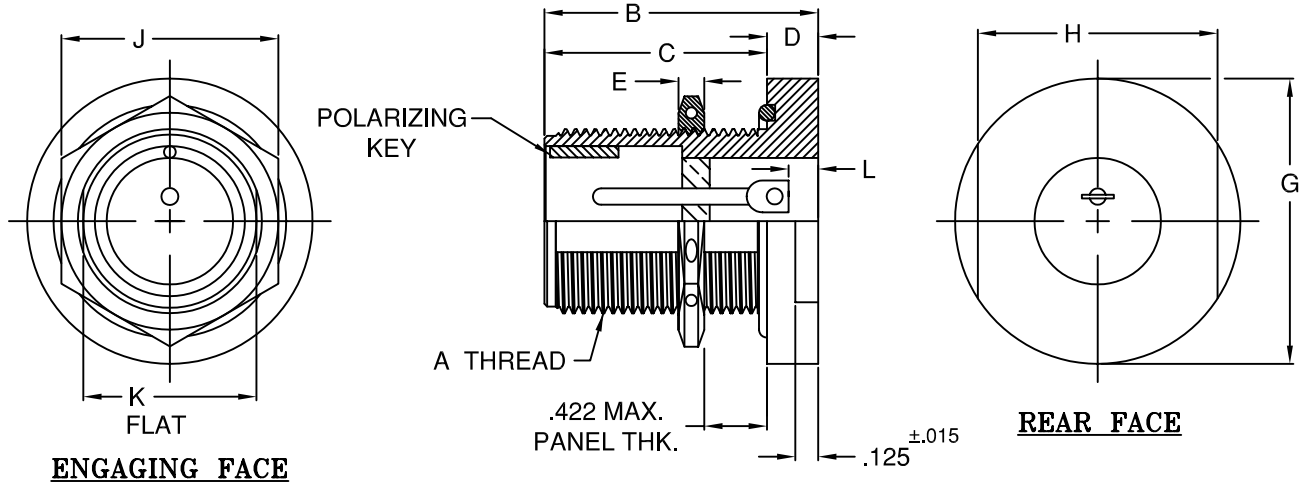
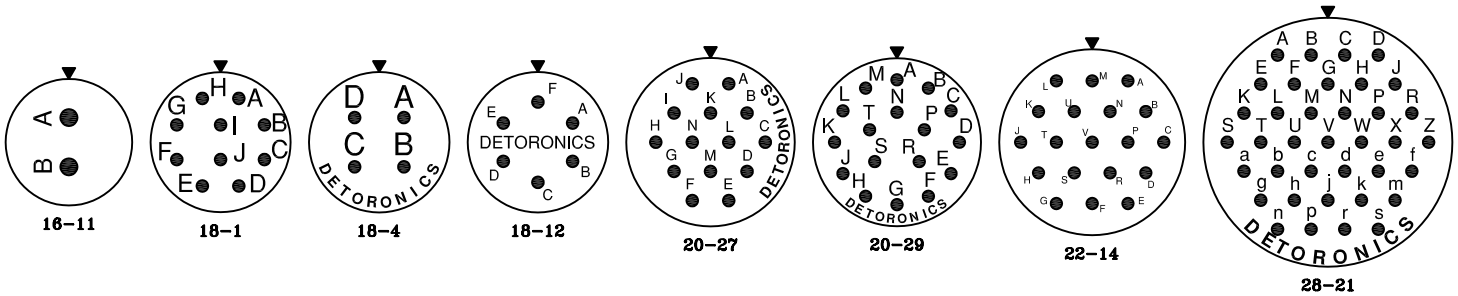


MINIATURE HERMETIC ELECTRONIC CONNECTORS—DSBFH SERIES

MIL-DTL-5015 TYPE, THRU BULKHEAD JAM NUT COMMERCIAL EQUAL
HERMETIC GLASS-TO-METAL SEALED
(VACUUM / PRESSURE FEED THRU)



PART NO.	A THREAD CLASS 2A †	B ±.015	C MIN.	D ±.015	E ±.015	G ±.015	H ±.015	J MAX.	K MAX.	L MAX.
DSBFH-16-*P-001	1.000-20 UNEF	1.500	1.094	.281	.141	1.563	1.313	1.135	.939	.350
DSBFH-18-*P-001	1.125-18 UNEF	1.500	1.094	.281	.141	1.688	1.438	1.260	1.057	.350
DSBFH-20-*P-001	1.250-18 UNEF	1.500	1.094	.281	.141	1.813	1.563	1.385	1.182	.350
DSBFH-22-*P-001	1.375-18 UNEF	1.500	1.094	.281	.141	1.938	1.688	1.510	1.307	.350
DSBFH-28-*P-001	1.750-18 UNS	1.500	1.094	.281	.141	2.313	2.062	1.885	1.682	.350



ENGAGING FACE PIN INSERTS

* ADD DESIRED INSERT ARRANGEMENT.

▼ = INSERT ARRANGEMENT IS SHOWN IN NORMAL POSITION.

† AFTER PLATING, SUBJECT TO ACCEPTANCE USING A BASIC CLASS 3A GO GAGE.

OTHER SHELL SIZES, PIN PATTERNS AND INSERT POSITIONS MAY BE AVAILABLE - CONSULT FACTORY.

MATERIAL: STANDARD IS CRS SHELL, 52 NICKEL ALLOY PINS AND NO INTERFACIAL SEAL.

STANDARD PIN IS EYELET TYPE, OTHER PIN TYPES ALSO AVAILABLE (SOLDER CUP, STRAIGHT) - CONSULT FACTORY.

STANDARD FINISH IS TIN PLATED SHELL AND PINS.

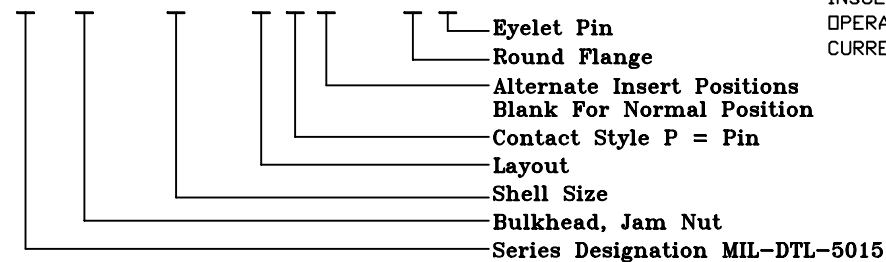
OTHER FINISHES ALSO AVAILABLE (GOLD, NICKEL, OLIVE DRAB, etc.) - CONSULT FACTORY.

SPECIALS CAN BE SUPPLIED TO MEET CUSTOMER SPECIFICATIONS - CONSULT FACTORY.

OUR CONNECTORS MATE WITH ANY PLUG WITH SOCKET CONTACTS WHICH MEET THE DIMENSIONAL REQUIREMENTS OF MIL-DTL-5015 AND MS3106.

PART NUMBERING SYSTEM

DS BFH - 20 - 27 P * - 00 1



GENERAL SPECIFICATIONS

AIR LEAKAGE: 1×10^{-6} CM³/SEC AT 15psi

INSULATION RESISTANCE: 5,000 megohms AT 500VDC

OPERATING TEMPERATURE: -67°F TO +347°F (-55°C TO +175°C)

CURRENT RATING: SIZE 16: 10 AMPS, SIZE 12: 17 AMPS

DETORONICS CORPORATION
10660 EAST RUSH STREET, SO. EL MONTE, CA 91733
TELE: (626) 579-7130 FAX: (626) 579-1936
www.detoronics.com