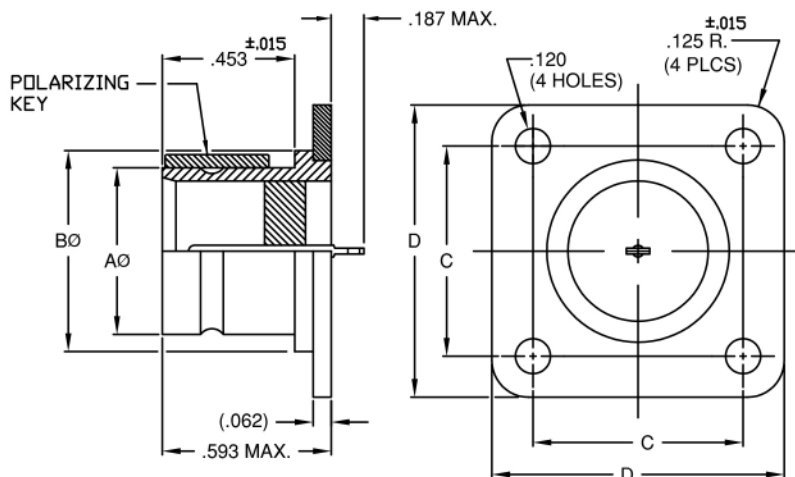
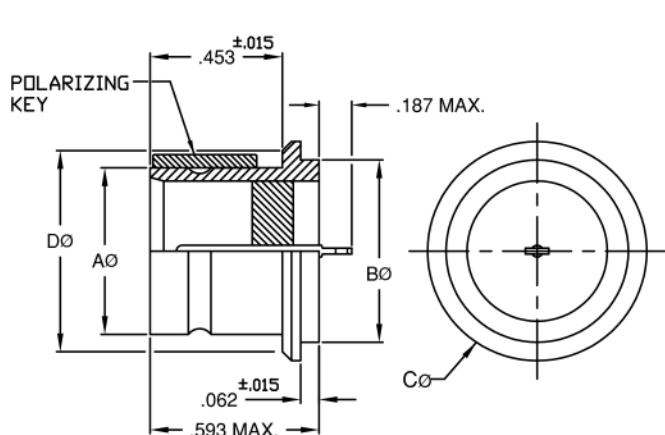


# MINIATURE HERMETIC ELECTRONIC CONNECTORS—DPP SERIES

## MIL-C-81703 TYPE, COMMERCIAL EQUAL HERMETIC GLASS-TO-METAL SEALED (VACUUM / PRESSURE FEED THRU)



PART NO.	AØ ±.004	BØ +.000 -.004	CØ ±.015	DØ ±.015
DPPH00-3-50PN	.435	.500	.593	.531
DPPH00-7-50PN	.570	.625	.750	.687
DPPH00-12-50PN	.705	.749	.875	.812
DPPH00-19-50PN	.844	.875	1.000	.937

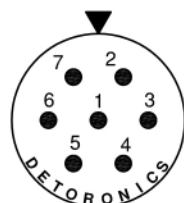
**DPPH00— SOLDER MOUNT CONNECTOR  
(MS3134 CLASS H, STYLE P)**

PART NO.	AØ ±.004	BØ ±.010	C ±.005	D ±.015
DPPH06-3-50PN	.435	.531	.625	.875
DPPH06-7-50PN	.570	.672	.719	1.000
DPPH06-12-50PN	.705	.812	.812	1.093
DPPH06-19-50PN	.844	.937	.906	1.187

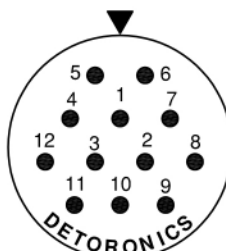
**DPPH06— SQUARE FLANGE MOUNT CONNECTOR  
(MS3132 CLASS H, STYLE P)**



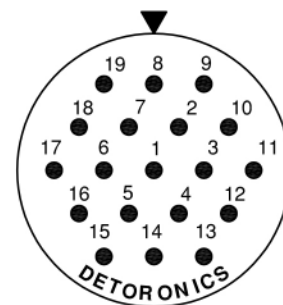
**3-50P**



**7-50P**



**12-50P**



**19-50P**

### ENGAGING FACE PIN INSERTS

▼ = INSERT ARRANGEMENT IS SHOWN IN NORMAL POSITION.

OTHER SHELL SIZES, PIN PATTERNS AND INSERT POSITIONS MAY BE AVAILABLE - CONSULT FACTORY.

MATERIAL: STANDARD IS CRS SHELL, 52 NICKEL ALLOY PINS AND NO INTERFACIAL SEAL.

STANDARD PIN IS EYELET TYPE. OTHER PIN TYPES ALSO AVAILABLE (SOLDER CUP, STRAIGHT) - CONSULT FACTORY.

STANDARD FINISH IS TIN PLATED SHELL AND PINS.

OTHER FINISHES ALSO AVAILABLE (GOLD, NICKEL, OLIVE DRAB, etc.) - CONSULT FACTORY.

SPECIALS CAN BE SUPPLIED TO MEET CUSTOMER SPECIFICATIONS - CONSULT FACTORY.

OUR CONNECTORS MATE WITH ANY PLUG WITH SOCKET CONTACTS WHICH MEET THE DIMENSIONAL REQUIREMENTS OF MIL-C-81703 AND MS3137.

### GENERAL SPECIFICATIONS

AIR LEAKAGE:  $1 \times 10^{-6}$  CM<sup>3</sup>/SEC AT 15psi

INSULATION RESISTANCE: 5,000 megohms AT 500VDC

OPERATING TEMPERATURE: -67°F TO +257°F (-55°C TO 125°C)

### **Detoronics Corporation**

13071 ROSECRANS AVE, SANTA FE SPRINGS, CA 90670

TELE: (626) 579-7130 FAX: (626) 579-1936

[www.detoronics.com](http://www.detoronics.com)