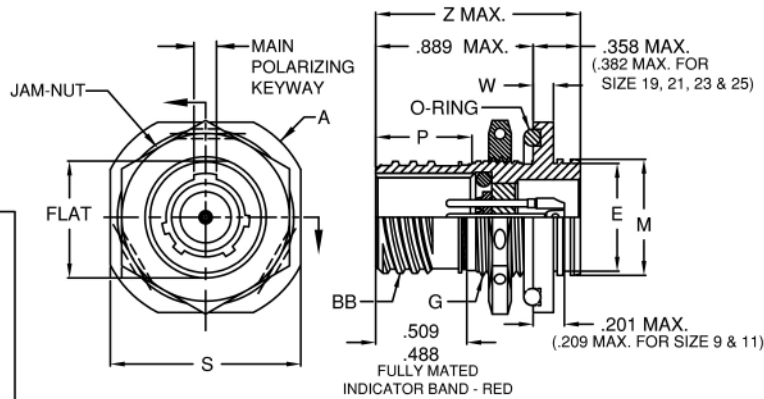


MINIATURE HERMETIC ELECTRONIC CONNECTORS-DJLTH SERIES

MIL-DTL-38999 SERIES III TYPE, COMMERCIAL EQUAL HERMETIC GLASS-TO-METAL SEALED (VACUUM / PRESSURE FEED THRU)

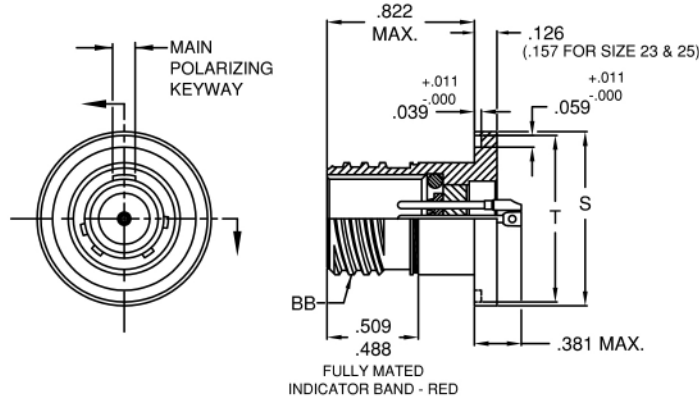
PART NO.	A ±.011	E ±.011	M +.011 -.000	P +.015 -.003	S ±.015	W +.011 -.003	Z MAX.	FLAT +.004 -.005	G † THREAD	BB † THREAD
DJLTH23*-9*-PN	1.189 IN. 30.2 MM	.602 IN. 15.3 MM	.642 IN. 16.3 MM	.555 IN. 14.1 MM	1.063 IN. 27.0 MM	.102 IN. 2.6 MM	1.150 IN. 29.2 MM	.651 IN. 16.53 MM	M17X1-6g 0.100R	.6250-.1-.3-2A
DJLTH23*-11*-PN	1.374 IN. 34.9 MM	.724 IN. 18.4 MM	.764 IN. 19.4 MM	.555 IN. 14.1 MM	1.252 IN. 31.8 MM	.102 IN. 2.6 MM	1.150 IN. 29.2 MM	.751 IN. 19.07 MM	M20X1-6g 0.100R	.7500-.1-.3-2A
DJLTH23*-13*-PN	1.500 IN. 38.1 MM	.850 IN. 21.6 MM	.894 IN. 22.7 MM	.563 IN. 14.3 MM	1.374 IN. 34.9 MM	.102 IN. 2.6 MM	1.154 IN. 29.3 MM	.938 IN. 23.82 MM	M25X1-6g 0.100R	.8750-.1-.3-2A
DJLTH23*-15*-PN	1.626 IN. 41.3 MM	.976 IN. 24.8 MM	1.020 IN. 25.9 MM	.563 IN. 14.3 MM	1.500 IN. 38.1 MM	.102 IN. 2.6 MM	1.154 IN. 29.3 MM	1.062 IN. 26.97 MM	M28X1-6g 0.100R	1.000-.1-.3-2A
DJLTH23*-17*-PN	1.752 IN. 44.5 MM	1.102 IN. 28.0 MM	1.142 IN. 29.00 MM	.563 IN. 14.3 MM	1.626 IN. 41.3 MM	.102 IN. 2.6 MM	1.154 IN. 29.3 MM	1.187 IN. 30.15 MM	M32X1-6g 0.100R	1.1875-.1-.3-2A
DJLTH23*-19*-PN	1.937 IN. 49.2 MM	1.228 IN. 31.2 MM	1.268 IN. 32.2 MM	.563 IN. 14.3 MM	1.811 IN. 46.0 MM	.134 IN. 3.4 MM	1.185 IN. 30.1 MM	1.312 IN. 33.32 MM	M35X1-6g 0.100R	1.2500-.1-.3-2A
DJLTH23*-21*-PN	2.063 IN. 52.4 MM	1.350 IN. 34.3 MM	1.394 IN. 35.4 MM	.563 IN. 14.3 MM	1.937 IN. 49.2 MM	.134 IN. 3.4 MM	1.185 IN. 30.1 MM	1.437 IN. 36.5 MM	M38X1-6g 0.100R	1.3750-.1-.3-2A
DJLTH23*-23*-PN	2.189 IN. 55.6 MM	1.476 IN. 37.5 MM	1.520 IN. 38.6 MM	.563 IN. 14.3 MM	2.063 IN. 52.4 MM	.134 IN. 3.4 MM	1.185 IN. 30.1 MM	1.562 IN. 39.67 MM	M41X1-6g 0.100R	1.5000-.1-.3-2A
DJLTH23*-25*-PN	2.311 IN. 58.7 MM	1.602 IN. 40.7 MM	1.642 IN. 41.7 MM	.563 IN. 14.3 MM	2.189 IN. 55.6 MM	.134 IN. 3.4 MM	1.185 IN. 30.1 MM	1.687 IN. 42.85 MM	M44X1-6g 0.100R	1.6250-.1-.3-2A

DJLTH23 JAM-NUT MOUNT CONNECTORS (MIL-DTL-38999/23 TYPE)



DJLTH27 WELD MOUNT CONNECTORS (MIL-DTL-38999/27 TYPE)

PART NO.	S +.011 -.000	T +.000 -.011	BB † THREAD
DJLTH27*-9*-PN	.972 IN. 24.7 MM	.941 IN. 23.9 MM	.6250-.1-.3-2A
DJLTH27*-11*-PN	1.094 IN. 27.8 MM	1.063 IN. 27.0 MM	.7500-.1-.3-2A
DJLTH27*-13*-PN	1.220 IN. 31.0 MM	1.189 IN. 30.2 MM	.8750-.1-.3-2A
DJLTH27*-15*-PN	1.346 IN. 34.2 MM	1.315 IN. 33.4 MM	1.000-.1-.3-2A
DJLTH27*-17*-PN	1.433 IN. 36.4 MM	1.402 IN. 35.6 MM	1.1875-.1-.3-2A
DJLTH27*-19*-PN	1.579 IN. 40.1 MM	1.547 IN. 39.3 MM	1.2500-.1-.3-2A
DJLTH27*-21*-PN	1.720 IN. 43.7 MM	1.689 IN. 42.9 MM	1.3750-.1-.3-2A
DJLTH27*-23*-PN	1.886 IN. 47.9 MM	1.854 IN. 47.1 MM	1.5000-.1-.3-2A
DJLTH27*-25*-PN	1.972 IN. 50.1 MM	1.941 IN. 49.3 MM	1.6250-.1-.3-2A



*- : Z1= CRES SHELL, PASSIVATED; Z2= CRES SHELL, ELECTRODEPOSITED NICKEL; Z3= CRES SHELL, CADMIUM WITH OLIVE DRAB.
*PN: ADD DESIRED INSERT ARRANGEMENT, CONTACT STYLE P (OR X AND C), AND MAIN KEY / KEYWAY POLARIZATION N (OR A,B,C,D, AND E).
† AFTER PLATING, SUBJECT TO ACCEPTANCE USING A BASIC CLASS 3A GO GAGE.

MATERIAL: SHELL 303,304, 316 TYPE CRES; PINS 52 NICKEL ALLOY, ELASTOMER INTERFACIAL SEAL AND O-RING.
STANDARD CONTACT IS SOLDER CUP, EYELET, AND FEEDTHROUGH.
STANDARD CONTACT FINISH IS GOLD PLATED.
OUR CONNECTORS MEET THE DIMENSIONAL REQUIREMENTS OF MIL-DTL-38999 AND MATE WITH ANY PLUG WITH SOCKET CONTACTS OF MIL-DTL-38999 /26.

SPECIAL SHELL, CONTACTS, AND FINISH (HEAVY GOLD, RHODIUM, OLIVE DRAB, etc.) CAN BE SUPPLIED TO MEET CUSTOMER SPECIFICATIONS - CONSULT FACTORY.

GENERAL SPECIFICATIONS

AIR LEAKAGE: 1×10^{-7} CM³/SEC AT 15psi
INSULATION RESISTANCE: 5,000 megohms AT 500VDC
OPERATING TEMPERATURE: -85°F TO +392°F (-65°C TO +200°C)

Detronics Corporation
13071 ROSECRANS AVE, SANTA FE SPRINGS, CA 90670
TELE: (626) 579-7130 FAX: (626) 579-1936
www.detronics.com