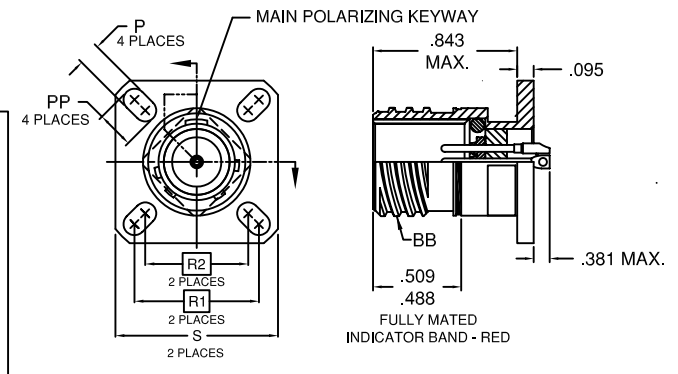


MINIATURE HERMETIC ELECTRONIC CONNECTORS—DJLTH SERIES

MIL-DTL-38999 SERIES III, COMMERCIAL EQUAL HERMETIC GLASS-TO-METAL SEALED (VACUUM / PRESSURE FEED THRU)

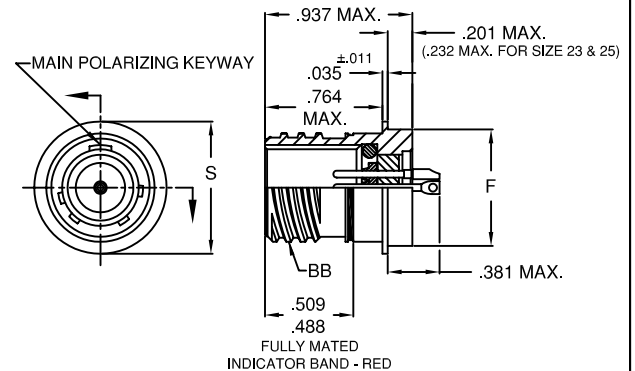
DJLTH21 BOX MOUNT FLANGE CONNECTORS (MIL-DTL-38999/21 TYPE)

PART NO.	P ±.007	PP ±.007	R1	R2	S ±.011	BB † THREAD
DJLTH21*-9-*PN	.128 IN. 3.25 MM	.216 IN. 5.49 MM	.719 IN. 18.26 MM	.594 IN. 15.09 MM	.937 IN. 23.8 MM	.6250-.1-.3-2A
DJLTH21*-11-*PN	.128 IN. 3.25 MM	.194 IN. 4.93 MM	.812 IN. 20.62 MM	.719 IN. 18.26 MM	1.031 IN. 26.2 MM	.7500-.1-.3-2A
DJLTH21*-13-*PN	.128 IN. 3.25 MM	.194 IN. 4.93 MM	.906 IN. 23.01 MM	.812 IN. 20.62 MM	1.126 IN. 28.6 MM	.8750-.1-.3-2A
DJLTH21*-15-*PN	.128 IN. 3.25 MM	.194 IN. 4.93 MM	.969 IN. 24.61 MM	.906 IN. 23.01 MM	1.220 IN. 31.0 MM	1.000-.1-.3-2A
DJLTH21*-17-*PN	.128 IN. 3.25 MM	.194 IN. 4.93 MM	1.062 IN. 26.97 MM	.969 IN. 24.61 MM	1.311 IN. 33.3 MM	1.1875-.1-.3-2A
DJLTH21*-19-*PN	.128 IN. 3.25 MM	.194 IN. 4.93 MM	1.156 IN. 29.36 MM	1.062 IN. 26.97 MM	1.437 IN. 36.5 MM	1.2500-.1-.3-2A
DJLTH21*-21-*PN	.128 IN. 3.25 MM	.194 IN. 4.93 MM	1.250 IN. 31.75 MM	1.156 IN. 29.36 MM	1.563 IN. 39.7 MM	1.3750-.1-.3-2A
DJLTH21*-23-*PN	.154 IN. 3.91 MM	.242 IN. 6.15 MM	1.375 IN. 34.93 MM	1.250 IN. 31.75 MM	1.689 IN. 42.9 MM	1.5000-.1-.3-2A
DJLTH21*-25-*PN	.154 IN. 3.91 MM	.242 IN. 6.15 MM	1.500 IN. 38.10 MM	1.375 IN. 34.93 MM	1.811 IN. 46.0 MM	1.6250-.1-.3-2A



DJLTH25 SOLDER MOUNT CONNECTORS (MIL-DTL-38999/25 TYPE)

PART NO.	F MAX.	S MAX.	BB † THREAD
DJLTH25*-9-*PN	.673 IN. 17.1 MM	.764 IN. 19.4 MM	.6250-.1-.3-2A
DJLTH25*-11-*PN	.783 IN. 19.9 MM	.858 IN. 21.8 MM	.7500-.1-.3-2A
DJLTH25*-13-*PN	.909 IN. 23.1 MM	.980 IN. 24.9 MM	.8750-.1-.3-2A
DJLTH25*-15-*PN	1.031 IN. 26.2 MM	1.106 IN. 28.1 MM	1.000-.1-.3-2A
DJLTH25*-17-*PN	1.157 IN. 29.4 MM	1.232 IN. 31.3 MM	1.1875-.1-.3-2A
DJLTH25*-19-*PN	1.252 IN. 31.8 MM	1.323 IN. 33.6 MM	1.2500-.1-.3-2A
DJLTH25*-21-*PN	1.378 IN. 35.0 MM	1.449 IN. 36.8 MM	1.3750-.1-.3-2A
DJLTH25*-23-*PN	1.504 IN. 38.2 MM	1.575 IN. 40.0 MM	1.5000-.1-.3-2A
DJLTH25*-25-*PN	1.626 IN. 41.3 MM	1.701 IN. 43.2 MM	1.6250-.1-.3-2A



*- : Z1= CRES SHELL, PASSIVATED; Z2= CRES SHELL, ELECTRODEPOSITED NICKEL; Z3= CRES SHELL, CADMIUM WITH OLIVE DRAB.

*PN: ADD DESIRED INSERT ARRANGEMENT, CONTACT STYLE P (OR X AND C), AND MAIN KEY / KEYWAY POLARIZATION N (OR A,B,C,D, AND E).

† AFTER PLATING, SUBJECT TO ACCEPTANCE USING A BASIC CLASS 3A GO GAGE.

MATERIAL: SHELL 303,304, 316 TYPE CRES; PINS 52 NICKEL ALLOY, ELASTOMER INTERFACIAL SEAL AND O-RING.

STANDARD CONTACT IS SOLDER CUP, EYELET, AND FEEDTHROUGH.

STANDARD CONTACT FINISH IS GOLD PLATED.

OUR CONNECTORS MEET THE DIMENSIONAL REQUIREMENTS OF MIL-DTL-38999 AND MATE WITH ANY PLUG WITH SOCKET CONTACTS OF MIL-DTL-38999/26.

SPECIAL SHELL, CONTACTS, AND FINISH (HEAVY GOLD, RHODIUM, OLIVE DRAB, etc.) CAN BE SUPPLIED TO MEET CUSTOMER SPECIFICATIONS - CONSULT FACTORY.

GENERAL SPECIFICATIONS

AIR LEAKAGE: 1×10^{-7} CM³/SEC AT 15psi

INSULATION RESISTANCE: 5,000 megohms AT 500VDC

OPERATING TEMPERATURE: -85°F TO +392°F (-65°C TO +200°C)

DETORONICS CORPORATION
10660 EAST RUSH STREET, SO. EL MONTE, CA 91733
TELE: (626) 579-7130 FAX: (626) 579-1936
www.detoronics.com