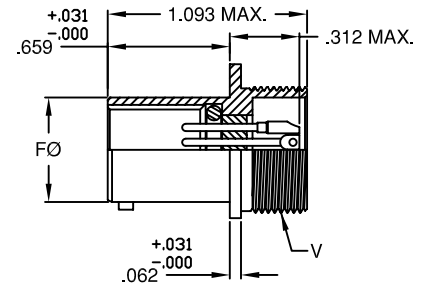
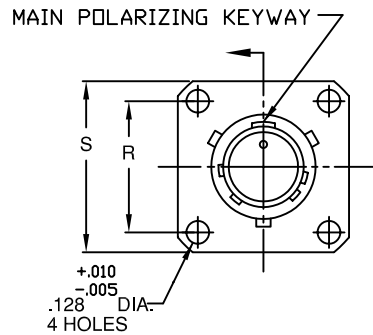
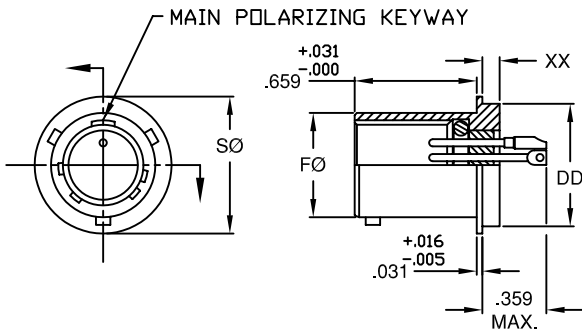


# MINIATURE HERMETIC ELECTRONIC CONNECTORS—DJL SERIES

## MIL-DTL-38999 SERIES I TYPE, COMMERCIAL EQUAL HERMETIC GLASS-TO-METAL SEALED (VACUUM / PRESSURE FEED THRUS)

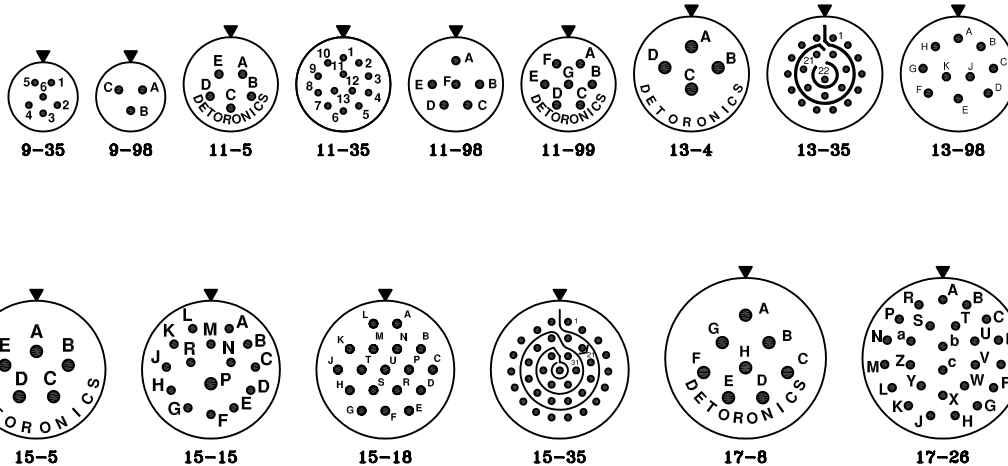


### DJLT1H - SOLDER MOUNT CONNECTORS (MS27471 TYPE)

### DJLT02H - SQUARE FLANGE MOUNT CONNECTORS (MS27469 TYPE)

PART NO.	FØ +.001 -.005	DD +.001 -.005	SØ ±.016	XX MAX.
DJLT1H-9-*PN	.572	.672	.750	.187
DJLT1H-11-*PN	.700	.781	.844	.187
DJLT1H-13-*PN	.850	.906	.969	.187
DJLT1H-15-*PN	.975	1.031	1.094	.187
DJLT1H-17-*PN	1.100	1.156	1.218	.187

PART NO.	FØ +.001 -.005	S ±.016	R (TYP.) BSC	V THREAD UNEF-2A †
DJLT02H-9-*PN	.572	.938	.719	.6875-24
DJLT02H-11-*PN	.700	1.031	.812	.8125-20
DJLT02H-13-*PN	.850	1.125	.906	.9375-20
DJLT02H-15-*PN	.975	1.219	.969	1.0625-18
DJLT02H-17-*PN	1.100	1.312	1.062	1.1875-18



### ENGAGING FACE PIN INSERTS

\* ADD DESIRED INSERT ARRANGEMENT.

▼ = INSERT ARRANGEMENT IS SHOWN IN NORMAL POSITION.

† AFTER PLATING, SUBJECT TO ACCEPTANCE USING A BASIC CLASS 3A GO GAGE.

H = O-RING. IF SILICONE INTERFACIAL SEAL IS REQUIRED, SUBSTITUTE 'Y' FOR 'H' IN PART NUMBER.

OTHER SHELL SIZES, PIN PATTERNS AND INSERT POSITIONS MAY BE AVAILABLE - CONSULT FACTORY.

MATERIAL: STANDARD IS CRS SHELL AND 52 NICKEL ALLOY PINS AND SILICONE O-RING ONLY.

STANDARD PIN IS SOLDER CUP. OTHER PIN TYPES ALSO AVAILABLE (EYELET, STRAIGHT) - CONSULT FACTORY.

STANDARD FINISH IS TIN PLATED SHELL AND PINS.

OTHER FINISHES ALSO AVAILABLE (GOLD, NICKEL, OLIVE DRAB, etc.) - CONSULT FACTORY.

SPECIALS CAN BE SUPPLIED TO MEET CUSTOMER SPECIFICATIONS - CONSULT FACTORY.

OUR CONNECTORS MATE WITH ANY PLUG WITH SOCKET CONTACTS WHICH MEET THE DIMENSIONAL REQUIREMENTS OF MIL-DTL-38999 AND MS27467.

#### GENERAL SPECIFICATIONS

AIR LEAKAGE:  $1 \times 10^{-7}$  CM<sup>3</sup>/SEC AT 15psi

INSULATION RESISTANCE: 5,000 megohms AT 500VDC

OPERATING TEMPERATURE: 39°F TO +201°F (4°C TO +90°C)

**DETORONICS CORPORATION**  
10660 EAST RUSH STREET, SO. EL MONTE, CA 91733  
TELE: (626) 579-7130 FAX: (626) 579-1936  
[www.detoronics.com](http://www.detoronics.com)