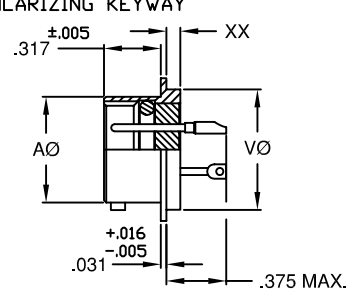
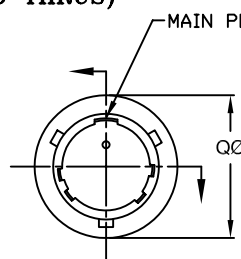
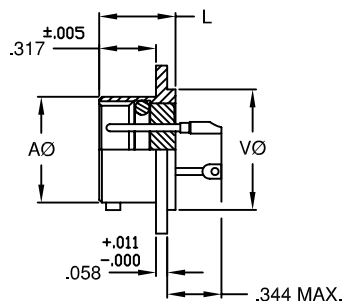
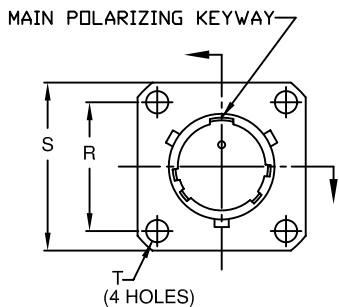


# MINIATURE HERMETIC ELECTRONIC CONNECTORS-DJ SERIES

## MIL-DTL-38999 SERIES II TYPE, COMMERCIAL EQUAL HERMETIC GLASS-TO-METAL SEALED (VACUUM / PRESSURE FEED THRU)

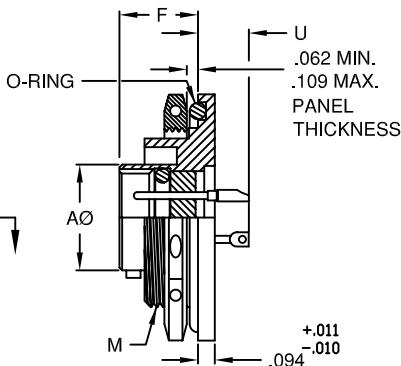
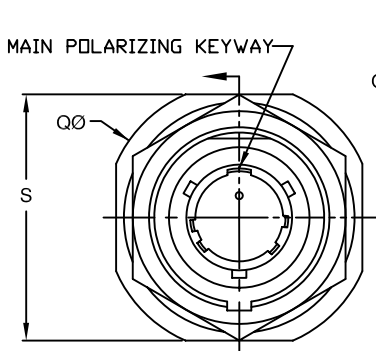


### DJT02H - SQUARE FLANGE MOUNT CONNECTORS (MS27476 TYPE)

| PART NO.      | AØ<br>+.001<br>-.005 | L<br>MAX. | R<br>BSC<br>G-C | S<br>MAX. | T<br>+.010<br>-.005 | VØ<br>+.001<br>-.005 |
|---------------|----------------------|-----------|-----------------|-----------|---------------------|----------------------|
| DJT02H-8-#PN  | .473                 | .453      | .594            | .828      | .120                | .562                 |
| DJT02H-10-#PN | .590                 | .453      | .719            | .954      | .120                | .672                 |
| DJT02H-12-#PN | .750                 | .453      | .812            | 1.047     | .120                | .781                 |
| DJT02H-14-#PN | .875                 | .453      | .906            | 1.141     | .120                | .906                 |
| DJT02H-16-#PN | 1.000                | .453      | .969            | 1.234     | .120                | 1.031                |
| DJT02H-18-#PN | 1.125                | .453      | 1.062           | 1.328     | .120                | 1.156                |
| DJT02H-20-#PN | 1.250                | .453      | 1.156           | 1.453     | .120                | 1.250                |
| DJT02H-22-#PN | 1.375                | .453      | 1.250           | 1.578     | .120                | 1.375                |
| DJT02H-24-#PN | 1.500                | .484      | 1.375           | 1.703     | .147                | 1.500                |

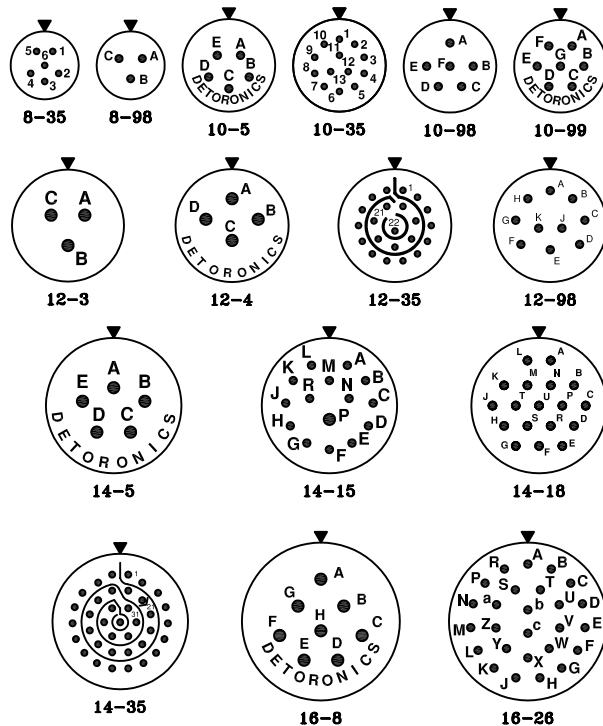
### DJT1H - SOLDER MOUNT CONNECTORS (MS27478 TYPE)

| PART NO.     | AØ<br>+.001<br>-.005 | XX<br>MAX. | QØ<br>+.011<br>-.010 | VØ<br>+.001<br>-.005 |
|--------------|----------------------|------------|----------------------|----------------------|
| DJT1H-8-#PN  | .473                 | .125       | .687                 | .562                 |
| DJT1H-10-#PN | .590                 | .125       | .797                 | .672                 |
| DJT1H-12-#PN | .750                 | .125       | .906                 | .781                 |
| DJT1H-14-#PN | .875                 | .125       | 1.031                | .906                 |
| DJT1H-16-#PN | 1.000                | .125       | 1.156                | 1.031                |
| DJT1H-18-#PN | 1.125                | .125       | 1.281                | 1.156                |
| DJT1H-20-#PN | 1.250                | .125       | 1.375                | 1.250                |
| DJT1H-22-#PN | 1.375                | .156       | 1.500                | 1.375                |
| DJT1H-24-#PN | 1.500                | .156       | 1.625                | 1.500                |



### DJT07H - JAM NUT MOUNT CONNECTORS (MS27477 TYPE)

| PART NO.      | AØ<br>+.001<br>-.005 | F<br>±.005 | M<br>THREAD †<br>CLASS-2A | QØ<br>±.016 | S<br>±.016 | U<br>MAX. |
|---------------|----------------------|------------|---------------------------|-------------|------------|-----------|
| DJT07H-8-#PN  | .473                 | .438       | .8750-20 UNEF             | 1.375       | 1.250      | .281      |
| DJT07H-10-#PN | .590                 | .438       | 1.0000-20 UNEF            | 1.500       | 1.375      | .281      |
| DJT07H-12-#PN | .750                 | .438       | 1.1250-18 UNEF            | 1.625       | 1.500      | .281      |
| DJT07H-14-#PN | .875                 | .438       | 1.2500-18 UNEF            | 1.750       | 1.625      | .281      |
| DJT07H-16-#PN | 1.000                | .438       | 1.3750-18 UNEF            | 1.938       | 1.781      | .281      |
| DJT07H-18-#PN | 1.125                | .438       | 1.5000-18 UNEF            | 2.016       | 1.890      | .281      |
| DJT07H-20-#PN | 1.250                | .464       | 1.6250-18 UNEF            | 2.141       | 2.016      | .250      |
| DJT07H-22-#PN | 1.375                | .464       | 1.7500-18 UNS             | 2.265       | 2.140      | .250      |
| DJT07H-24-#PN | 1.500                | .464       | 1.8750-16 UN              | 2.390       | 2.265      | .250      |



### ENGAGING FACE PIN INSERTS

\* ADD DESIRED INSERT ARRANGEMENT.

▼ INSERT ARRANGEMENT IS SHOWN IN NORMAL POSITION.

† AFTER PLATING, SUBJECT TO ACCEPTANCE USING A BASIC CLASS 3A GO GAGE.

H = O-RING. IF SILICONE INTERFACIAL SEAL IS REQUIRED, SUBSTITUTE 'Y' FOR 'H' IN PART NUMBER.

OTHER PIN PATTERNS AND INSERT POSITIONS MAY BE AVAILABLE - CONSULT FACTORY.

MATERIAL: STANDARD IS CRS SHELL, 52 NICKEL ALLOY PINS AND SILICONE O-RING ONLY.

STANDARD PIN IS SOLDER CUP TYPE. OTHER PIN TYPES ALSO AVAILABLE (EYELET, STRAIGHT) - CONSULT FACTORY.

STANDARD FINISH IS TIN PLATED SHELL AND PINS.

OTHER FINISHES ALSO AVAILABLE (GOLD, NICKEL, OLIVE DRAB, etc.) - CONSULT FACTORY.

SPECIALS CAN BE SUPPLIED TO MEET CUSTOMER SPECIFICATIONS - CONSULT FACTORY.

OUR CONNECTORS MATE WITH ANY PLUG WITH SOCKET CONTACTS WHICH MEET THE DIMENSIONAL REQUIREMENTS OF MIL-DTL-38999 AND MS27484.

#### GENERAL SPECIFICATIONS

AIR LEAKAGE: 1x10<sup>-7</sup> CM<sup>3</sup>/SEC AT 15psi

INSULATION RESISTANCE: 5,000 megohms AT 500VDC

OPERATING TEMPERATURE: 39°F TO +201°F (4°C TO +90°C)

**DETORONICS CORPORATION**  
10660 EAST RUSH STREET, SO. EL MONTE, CA 91733  
TELE: (626) 579-7130 FAX: (626) 579-1936  
[www.detoronics.com](http://www.detoronics.com)