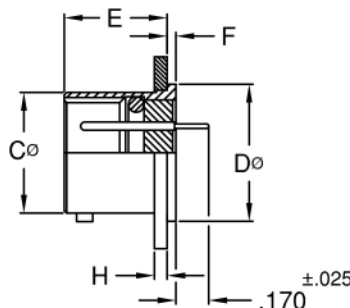
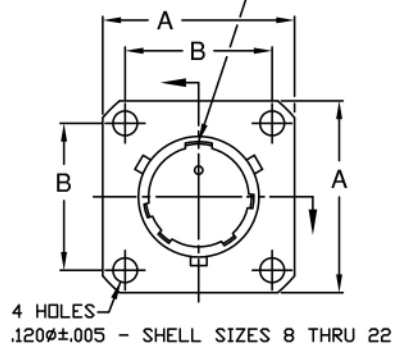


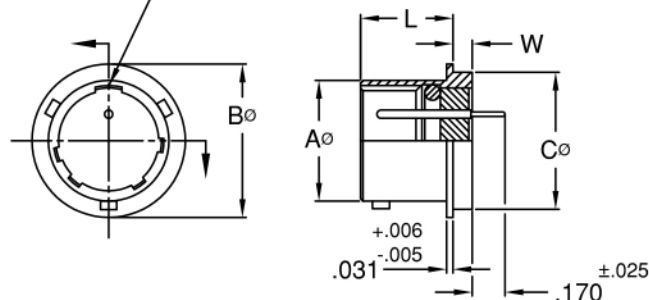
# MINIATURE HERMETIC ELECTRONIC CONNECTORS-DFC SERIES

## FLEX CIRCUIT SERIES MIL-DTL-26482 TYPE, COMMERCIAL EQUAL HERMETIC GLASS-TO-METAL SEALED (VACUUM / PRESSURE FEED THRUS)

MAIN POLARIZING KEYWAY



MAIN POLARIZING KEYWAY



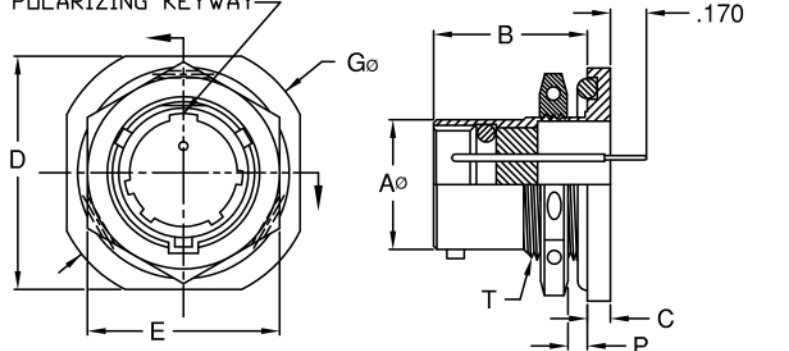
PART NO.	A ±.016	B TYP.	C∅ +.001 -.005	D∅ +.001 -.005	E +.025 -.015	F ±.016	H ±.016
DFC02H-8-#PN	.812	.594	.473	.562	.494	.047	.062
DFC02H-10-#PN	.938	.719	.590	.672	.494	.047	.062
DFC02H-12-#PN	1.031	.812	.750	.781	.494	.047	.062
DFC02H-14-#PN	1.125	.906	.875	.906	.494	.047	.062
DFC02H-16-#PN	1.219	.969	1.000	1.031	.494	.047	.062
DFC02H-18-#PN	1.312	1.062	1.125	1.156	.494	.047	.062
DFC02H-20-#PN	1.438	1.156	1.250	1.220	.556	.047	.094
DFC02H-22-#PN	1.562	1.250	1.375	1.340	.556	.079	.094

**DFC02H - FLANGE MOUNT CONNECTORS  
(MS3112 CLASS H TYPE)**

PART NO.	A∅ +.001 -.005	B∅ MAX.	C∅ +.001 -.005	L +.025 -.016	W +.011 -.010
DFC1H-8-#PN	.473	.636	.562	.447	.094
DFC1H-10-#PN	.590	.761	.672	.447	.094
DFC1H-12-#PN	.750	.855	.781	.447	.094
DFC1H-14-#PN	.875	.980	.906	.447	.094
DFC1H-16-#PN	1.000	1.105	1.031	.447	.094
DFC1H-18-#PN	1.125	1.229	1.156	.447	.094
DFC1H-20-#PN	1.250	1.323	1.250	.509	.094
DFC1H-22-#PN	1.375	1.449	1.375	.509	.125

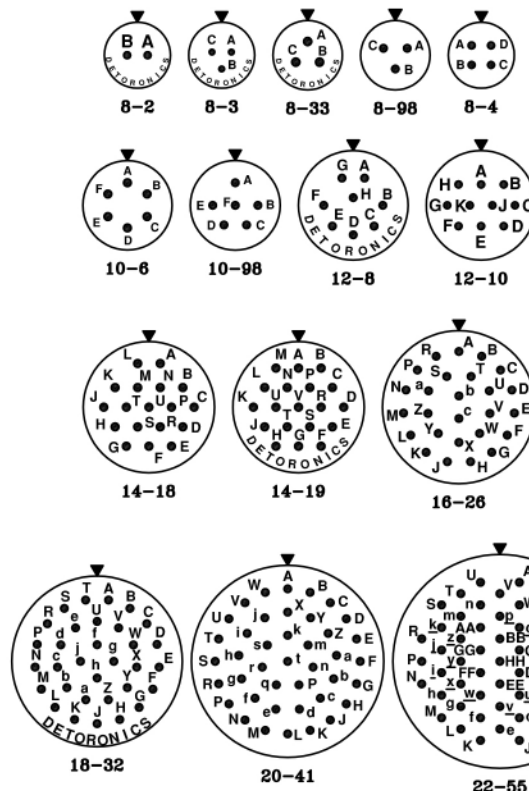
**DFC1H - SOLDER MOUNT CONNECTORS  
(MS3113 CLASS H TYPE)**

MAIN POLARIZING KEYWAY



PART NO.	A∅ +.001 -.005	B +.031 -.000	C ±.020	D MAX.	E HEX ±.017	G∅ +.000 -.032	P PANEL THK. MIN. MAX.	T THREAD †
DFC07H-8-#PN	.473	.691	.117	.954	.750	1.078	.062 .125	.5625-24
DFC07H-10-#PN	.590	.691	.117	1.078	.875	1.203	.062 .125	.6875-24
DFC07H-12-#PN	.750	.691	.117	1.266	1.062	1.391	.062 .125	.875-20
DFC07H-14-#PN	.875	.691	.117	1.391	1.188	1.516	.062 .125	1.000-20
DFC07H-16-#PN	1.000	.691	.117	1.516	1.312	1.641	.062 .125	1.125-18
DFC07H-18-#PN	1.125	.691	.117	1.641	1.438	1.766	.062 .125	1.250-18
DFC07H-20-#PN	1.250	.879	.148	1.828	1.562	1.954	.062 .250	1.375-18
DFC07H-22-#PN	1.375	.879	.148	1.954	1.688	2.078	.062 .250	1.500-18

**DFC07H - JAM NUT MOUNT CONNECTORS  
(MS3114 CLASS H TYPE)**



\* ADD DESIRED INSERT ARRANGEMENT.

▼ INSERT ARRANGEMENT IS SHOWN IN NORMAL POSITION.

† AFTER PLATING, SUBJECT TO ACCEPTANCE USING A BASIC CLASS 3A GO GAGE.

OTHER SHELL SIZES, PIN PATTERNS AND INSERT POSITIONS MAY BE AVAILABLE - CONSULT FACTORY.

MATERIAL: STANDARD IS CRS SHELL, 52 NICKEL ALLOY PINS AND SILICONE O-RING ONLY.

STANDARD PIN IS STEP TYPE. .040" DIA. REDUCED DOWN TO .025" DIA. ON BACK SIDE.

STANDARD FINISH IS TIN PLATED SHELL AND PINS.

OTHER FINISHES ALSO AVAILABLE (GOLD, NICKEL, OLIVE DRAB, etc.) - CONSULT FACTORY.

SPECIALS CAN BE SUPPLIED TO MEET CUSTOMER SPECIFICATIONS - CONSULT FACTORY.

OUR CONNECTORS MATE WITH ANY PLUG WITH SOCKET CONTACTS WHICH MEET THE DIMENSIONAL REQUIREMENTS OF MIL-DTL-26482 AND MS3116.

**GENERAL SPECIFICATIONS**

AIR LEAKAGE: 1x10<sup>-6</sup> CM<sup>3</sup>/SEC AT 15psi

INSULATION RESISTANCE: 5,000 megohms AT 500VDC

OPERATING TEMPERATURE: -67°F TO +257°F (-55°C TO +125°C)

**ENGAGING FACE  
PIN INSERTS**

**Detoronics Corporation**  
13071 ROSECRANS AVE, SANTA FE SPRINGS, CA 90670  
TELE: (626) 579-7130 FAX: (626) 579-1936  
[www.detoronics.com](http://www.detoronics.com)