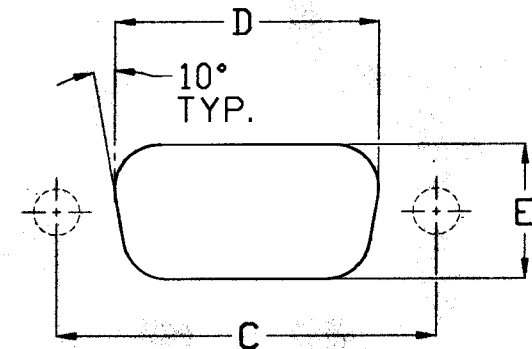
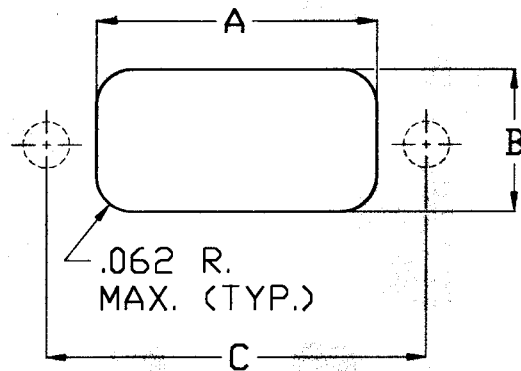


PANEL CUT OUT FOR D-SUB SERIES

PART NO.	A MIN.	B MIN.	C ±.005	D MIN.	E MIN.
DRH1-9P-*	.735	.379	.984	.794	.457
DRH2-15P-*	.942	.379	1.312	1.120	.457
DRH3-25P-*	1.489	.379	1.852	1.682	.477
DRH4-37P-*	2.135	.379	2.500	2.330	.477
DRH5-50P-*	2.010	.510	2.406	2.226	.583

PART NO.	C ±.005	D MIN.	E MIN.
DRTBH1-9P-*	.984	.794	.457
DRTBH2-15P-*	1.312	1.120	.457
DRTBH3-25P-*	1.852	1.682	.477
DRTBH4-37P-*	2.500	2.330	.477
DRTBH5-50P-*	2.406	2.226	.583



www.detoronics.com

DETORONICS CORPORATION

10660 EAST RUSH STREET, SO. EL MONTE, CA 91733
 TELE: (626) 579-7130 FAX: (626) 579-1936

**D-SUB STANDARD
 MIL-C-24308 TYPE**